



POWERFUL



EASY  
TO INSTALL



VERSATILE



## **Ditec Dod**

EN

Actuators for counterweighted  
overhead doors

# Ditec Dod

**Modern and refined design**  
**Simple, fast installation, adaptable to any structure**

## Ease of installation

Fitted onto the drive shaft or with pinion and chain transmission, it makes other movement devices superfluous, with consequent savings in installation time and cost of materials.

Adjustable rotary limit switch group. The opening cycles managed by the gear motor help preserve the entire mechanics of the sectional overhead door over time. The small and compact dimensions of the gear motor make it suitable even for applications where space is restricted.

The Ditec Dod automation is complete with safety accessories and controls in compliance with standards in force.

## Distinctive features

- Gear motor 230 V AC 3 A for intensive use
- Motor protected by thermal probe and equipped with incorporated electric brake and limit switch
- Axial mounting

## Specific accessories

- Manual reopening device with chain or crank
- Chain
- Full pinion shaft

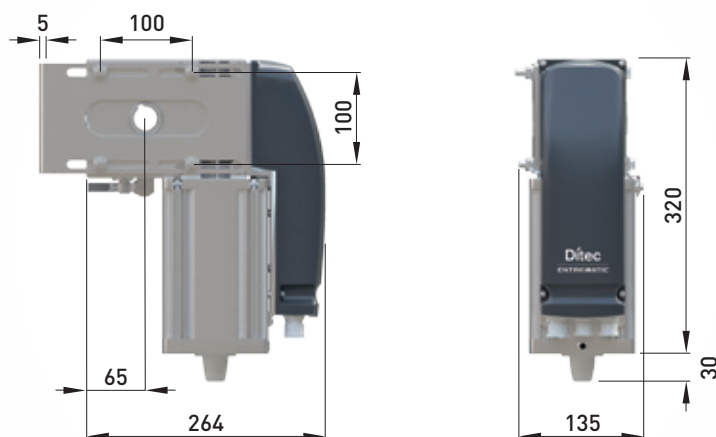


## Product range

Description	Dod 14*	Dod 15*
Torque	60 Nm	65 Nm
Motor	Single-phase	Three-phase

\* Can be released by rope, manual operation of the wing

## Dimensions



# Example of installation and technical characteristics



## Technical specifications

Description	Dod 14	Dod 15
Electromechanical actuator	for sectional doors	for sectional doors
Stroke control	rotary limit switch	rotary limit switch
Service index	4 - intensive	4 - intensive
Intermittent operation	S2 = 30 min S3 = 50%	S2 = 30 min S3 = 50%
Power absorption	230 V AC / 50 Hz	400 V AC / 50 Hz
Power input	3 A	1.2 A
Torque / Thrust	60 Nm	65 Nm
Drive shaft rpm	22 RPM	32 RPM
Release system for manual opening	with chain with crank	with chain with crank
Operating temperature	-20°C / +55°C (-35°C / +55°C with NIO enabled)	-20°C / +55°C
Protection level	IP 40	IP 40
Product dimensions (mm)	135x264x350	135x264x350
Control panel	E1A	E1T

Description	Dod 14	Dod 15
<b>TECHNICAL SPECIFICATIONS</b>		
Control panel	ref. E1A for one 230 V AC motor with built-in radio	ref. E1T for one 400 V AC three-phase motor
Mains power supply	230 V AC / 50 Hz	400 V AC / 50 Hz
Motor power supply	230 V AC - 5 A	400 V AC / 1 x 6 A
Accessories power supply	24 V DC / 0.5 A	24 V DC / 0.5 A
Operating temperature	-20°C / + 55°C in standard conditions -35°C / +55°C with NIO enabled	-20°C + 55°C
Control panel protection level	IP55	IP55
Control panel dimensions (mm)	187x261x105	187x261x105
<b>INPUTS</b>		
Opening control	Shared with inching control, selected with dip-switch	Shared with inching control, selected with dip-switch
Partial opening control	■ with radio only	■
Close control	Shared with emergency stop, which can be selected by setting a jumper	■
Stop control	■	■
Inching control	Shared with opening control, selected via dip-switch	Shared with opening control, selected via dip-switch
Hold-to-run control	■	■
<b>OUTPUT</b>		
Flashing light	230 V AC	24 V DC
Gate-open warning light (ON/OFF)	■ from limit switch	■ from limit switch
Courtesy light	■ up to 60 W	
<b>PROGRAMMABLE FUNCTIONS</b>		
Force adjustment	Electronically selected transformer	
Operation time	Adjustable	
Automatic re-closing time	Adjustable	Adjustable
<b>SAFETY AND PROTECTION FUNCTIONS</b>		
Emergency stop	■	■
Safe closing (inversion)	■	■
Safety Test Facility (for automatic safety devices)	■	■
ODS – Obstruction Detection System (causes the gate to stop or reverses movement when an obstacle is detected)	■	■ with active edge
NIO - Antifreeze system	■	
<b>OPTIONAL ACCESSORIES</b>		
8.2 KΩ-resistance safety edge	■ with accessory	■ with accessory
Magnetic loop detector	■ with LAB9	■ with LAB9



### Entrematic Italy S.p.A.

Largo U. Boccioni, 1 · 21040 Origgio (VA) · Italy

Tel +39 02 963911 · Fax: +39 02 9650314

ditec@entrematic.com

www.ditecentrematic.com · www.entrematic.com

Present in: France, Germany, Spain, Turkey and Canada.

For addresses and contact information see our website [www.ditecentrematic.com](http://www.ditecentrematic.com)

